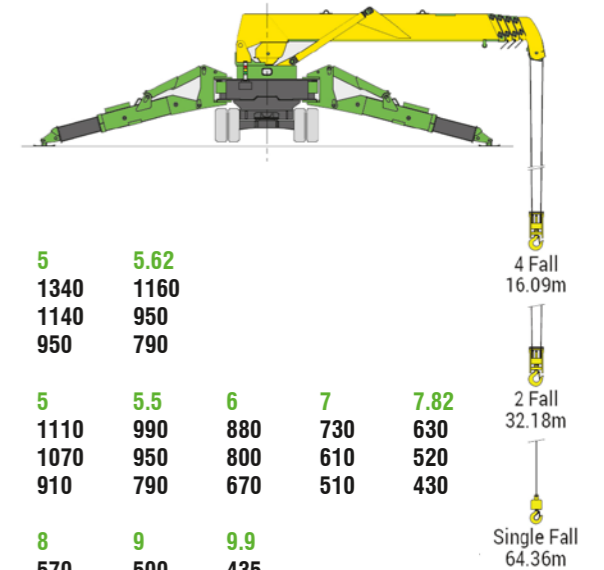
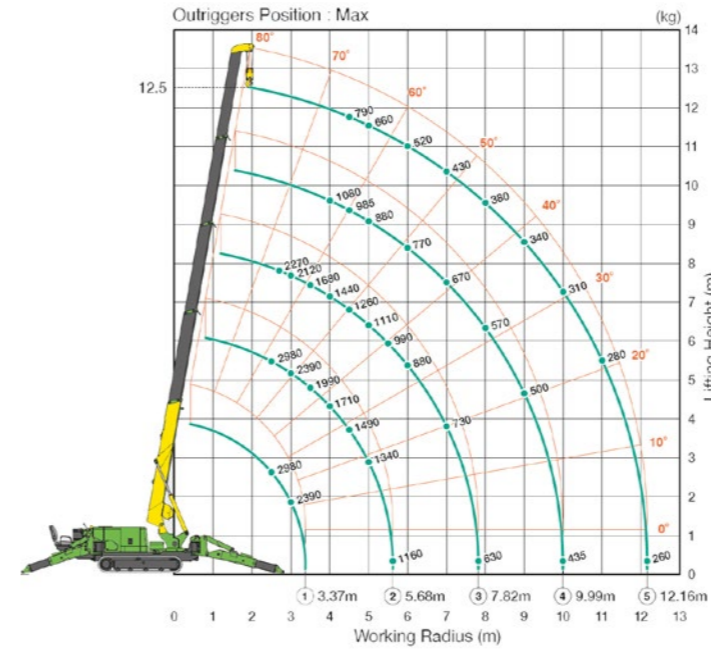


# MAEDAMC-305CB-3 ECO (2.98t x 2.5m)



- Light Weight & Low Noise
- 4 Fall / 2 Fall Hook Block
- New LCD Monitor
- Lithium-ion Battery
- High Capacity Battery with Long Life
- Minimal Charging Time
- Continuous Operation While Charging

## Working Range



### First & Second Stage

#### FIRST STAGE EXTENDED 3.7-5.95M BOOM LENGTH

Working radius m	<2.5	3	3.5	4	4.5	5	5.62
Outrigger Max kg	2980	2390	1990	1710	1490	1340	1160
Outrigger Mid kg	2980	2360	1960	1680	1380	1140	950
Outrigger Min kg	2980	2350	1800	1430	1140	950	790

### Third Stage

#### SECOND STAGE EXTENDED 8.14M BOOM LENGTH

Working radius m	2.7	3	3.5	4	4.5	5	5.5	6	7	7.82
Outrigger Max kg	2270	2120	1680	1440	1260	1110	990	880	730	630
Outrigger Mid kg	2270	2090	1680	1420	1240	1070	950	800	610	520
Outrigger Min kg	2270	2090	1680	1370	1120	910	790	670	510	430

### Fourth Stage

#### THIRD STAGE EXTENDED 10.31M BOOM LENGTH

Working radius m	4	4.5	5	6	7	8	9	9.9
Outrigger Max kg	1080	985	880	770	670	570	500	435
Outrigger Mid kg	1060	950	860	750	630	490	410	350
Outrigger Min kg	1060	950	860	680	530	420	340	300

### Fifth Stage

#### FOURTH STAGE EXTENDED 12.45M BOOM LENGTH

Working radius m	<4.5	5	6	7	8	9	10	11	12.16
Outrigger Max kg	790	660	520	430	380	340	310	280	260
Outrigger Mid kg	780	650	500	410	360	320	290	260	250
Outrigger Min kg	780	650	500	410	360	320	290	240	210

## Crane Specifications

<b>Crane capacity</b>	capacity:	2.98 t x 2.5m
<b>Max working radius</b>	max:	12.16m x 0.26t
<b>Max lifting height (on ground)</b>	approx:	12.52m
<b>Max lifting height (underground)</b>	approx:	-16.09m (4 falls)
<b>Dimensions</b>		4195mm x 1280mm x 1695mm
<b>Machine weight</b>		3925kg
<b>Travel speed</b>		0-1.4km/h
<b>Battery system</b>	Type	Lithium Titanate Battery
	5 hour rate capacity	DC55V - 180Ah
	Input voltage / current	Single phase AC200V/16A, AC100V/15A
	Charging time with AC-200V	80%: 3 hour / 100% 4 hour 30 min
	Charging time with AC-100V	80%: 8 hour 15 min / 100% 10 hour 30 min
	Continuous operation time	By travelling: High speed 2 hour 50 min
	Charging during operation	Available
<b>Safety Device</b>		Overwind protection, Load indicator, Hydraulic safety valve, Level, Machine body inclination alarm, EMO switch, Travel lock lever, Outrigger interlock device, Moment limiter, Rotary lamp
<b>Options</b>		Black rubber tracks, single fall hook, protection roll bar, searcher hooks



## Dimensions

