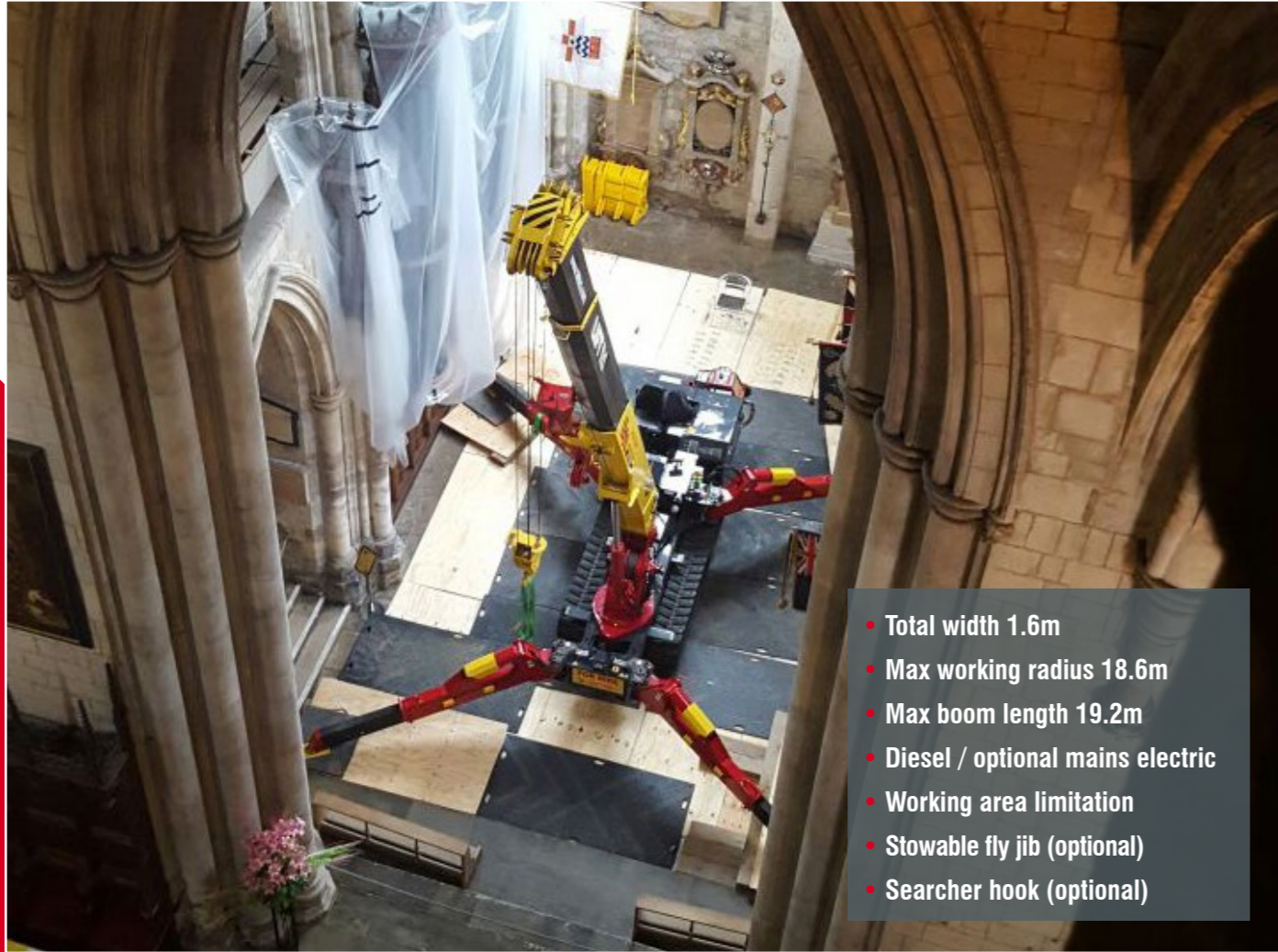
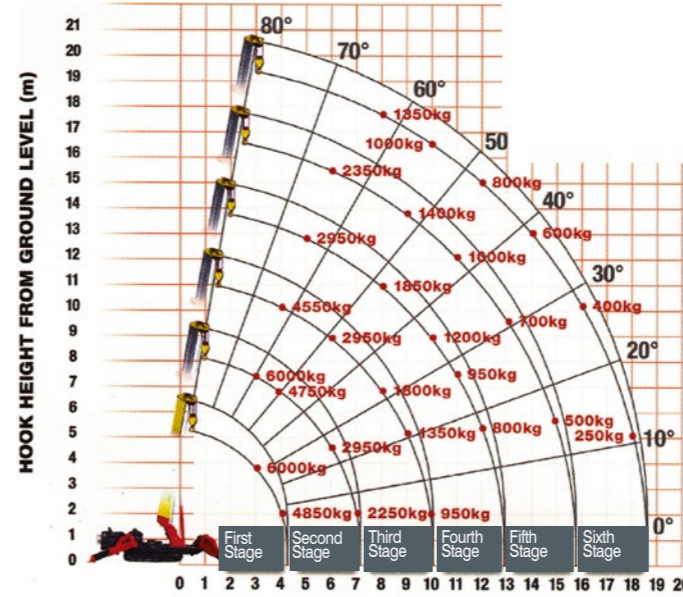


UNIC-706 (6.0t x 3.0m)



- Total width 1.6m
- Max working radius 18.6m
- Max boom length 19.2m
- Diesel / optional mains electric
- Working area limitation
- Stowable fly jib (optional)
- Searcher hook (optional)

Working Range



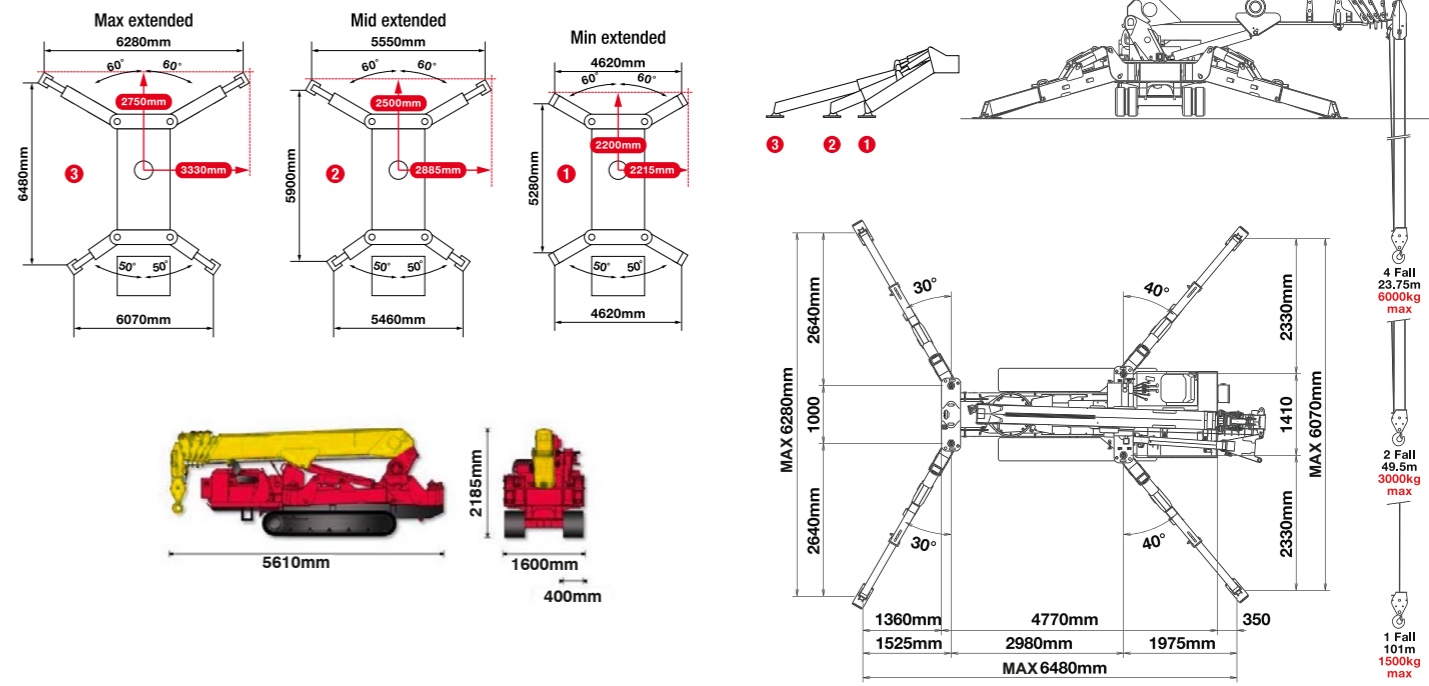
	WORKING RADIUS (m)										
First Stage	FIRST STAGE EXTENDED 4.8M BOOM LENGTH										
	Working radius	m up to 2.7									
	Outrigger	Max-extended	kg 6,000	6,000	5,450	4,850	3,950				
Second Stage	SECOND STAGE EXTENDED 4.8 - 7.7M BOOM LENGTH										
	Working radius	m up to 2.0									
	Outrigger	Max-extended	kg 6,000	6,000	5,350	4,750	3,750	2,950	2,250	2,000	
Third Stage	THIRD STAGE EXTENDED 7.7 - 10.6M BOOM LENGTH										
	Working radius	m up to 2.7									
	Outrigger	Max-extended	kg 4,550	4,550	3,650	2,950	2,400	1,800	1,350	950	950
Fourth Stage	FOURTH STAGE EXTENDED 10.6 - 13.5M BOOM LENGTH										
	Working radius	m up to 5.0									
	Outrigger	Max-extended	kg 2,950	2,550	2,150	1,850	1,500	1,200	950	800	450
Fifth Stage	FIFTH STAGE EXTENDED 13.5 - 16.3 BOOM LENGTH										
	Working radius	m up to 6.0									
	Outrigger	Max-extended	kg 2,350	1,700	1,400	1,200	1,000	850	700	600	500
Sixth Stage	SIXTH STAGE EXTENDED 16.3 - 19.2M BOOM LENGTH										
	Working radius	m up to 8.0									
	Outrigger	Max-extended	kg 1,350	1,000	800	600	400	250	200	150	90

Crane Specifications

Crane capacity	capacity:	6.0t x 3.0m
Max working radius	max:	18.6m
Max lifting height	approx:	19.5m (22.7m with extension jib)
Rope length	max:	27.75m (4 fall), 55.5m (2 fall), 111m (1 fall)
Dimensions	folded:	5610mm (l) x 1600mm (w) x 2185mm (h)
Weight	unladen:	7920kg + 160kg (8080kg with electric option) + 230kg (8310kg with searcher hook and fly jib attached)
Point loadings	Due to the many variables involved, point loadings are only available on request	
Hook speed	approx:	11m/min (with 4 layers and 4 falls)
Telescopic system	boom length:	4.80 - 19.20m
	telescoping speed:	14.4m/52 seconds
	boom type:	6 section hydraulically telescoping boom
Derricking angle/speed	approx:	0 - 80°/16.0 seconds
Slewing angle/speed	approx:	360° (continuous) 2.5min-1 (rpm)
Traction system	drive:	hydrostatic 2-speed
	travel speed:	0 - 3km/h
	gradability:	23°
	track ground length:	2240mm
	track ground pressure:	87.2kPa (0.89kg/cm ²)
	track width:	400mm
Engine	manufacturer:	Mitsubishi
	fuel:	diesel (electric dual power option)
	maximum output:	23.5kW (32.0PS) / 2500min-1 (rpm)
	starting method:	electric
	tank capacity:	74 litres
Electric motor	power:	7.5kW
	voltage:	400v AC 50/60Hz
Standard equipment	Computer controlled moment limiter (safe load indicator), overload warning lamps, intelligent voice warning system, radio remote control, intelligent throttle activation	
Optional equipment	Stowable fly (extension jib), searcher hook, 2 fall hook block, 1 fall hook block, 1 fall hook block, mains electric dual power (400v), low marking tracks, slew limitation	



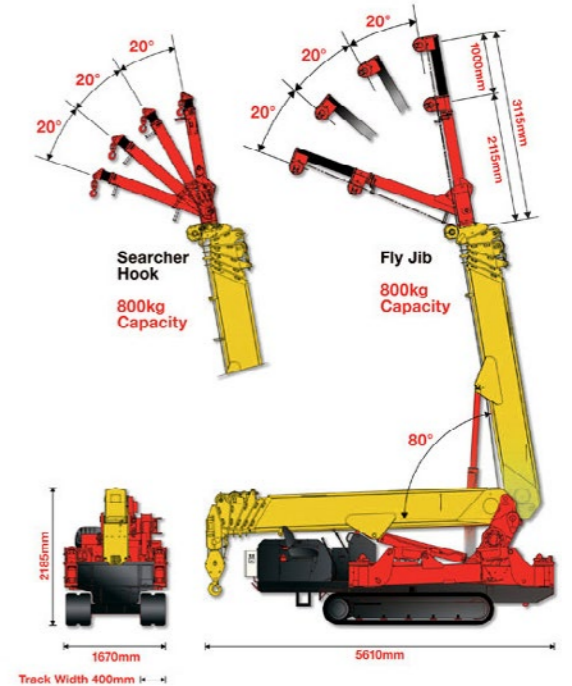
Outrigger Positions



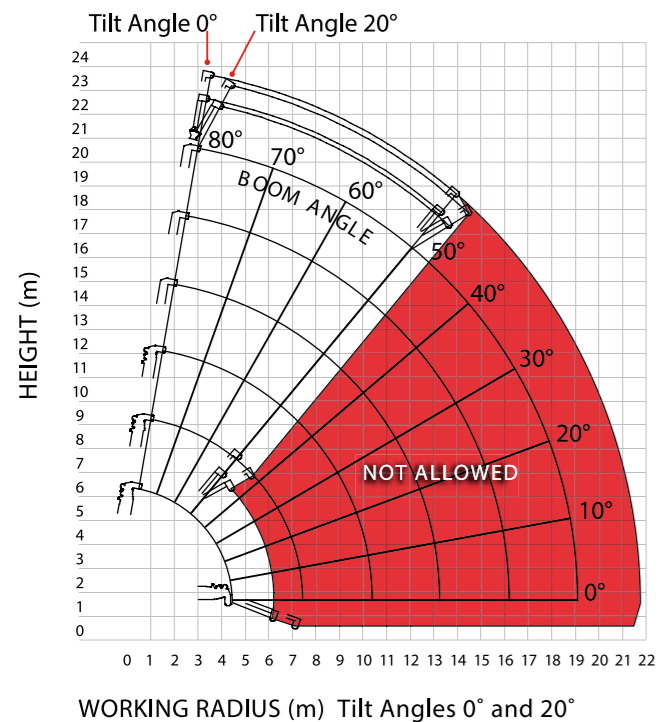
LIFT UNIC-706 FLY EXTENSION



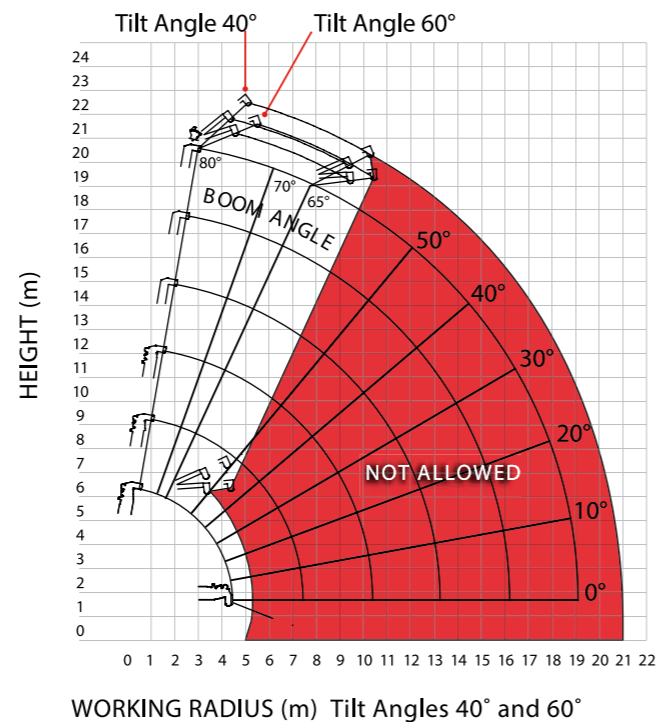
Dimensions



OPTIONAL FLY JIB WORKING RANGE - 0° & 20°



OPTIONAL FLY JIB WORKING RANGE - 40° & 60°



FLY JIB - ANGLE RATED

ANGLE RATED	NET RATED LOADS (kg) AT EXTENSION JIB ANGLE			
	0°	20°	40°	60°
80°	800	800	600	600
75°	800	800	600	600
70°	700	700	500	500
65°	600	600	400	400
60°	500	500	NOT ALLOWED	
55°	400	400		
50°	300	300		

Lifting capacity 800kg
Jib length retracted: 2.11m
extended: 3.11m
Weight 205kg
Tilt angles 0°, 20°, 40°, 60°

SEARCHER HOOK - RADIUS RATED

RADIUS RATED	SEARCHER HOOK NET RATED LOADS (kg)		
	OUTRIGGERS MAX-EXTENDED	OUTRIGGERS MID-EXTENDED	OUTRIGGERS MIN-EXTENDED
WORKING RADIUS m			
7.0	800	800	800
8.0	800	800	610
9.0	800	700	420
10.0	800	550	250
10.5	800	490	200
11.0	650	430	160
11.5	550	370	120
12.0	470	310	100
13.0	330	230	NOT ALLOWED
14.0	260	150	
15.0	210	100	

Lifting capacity 800kg
Length 2.21m

Note: The above figures are based on a no-load condition and do not include the deflection of the boom.