

LIFT

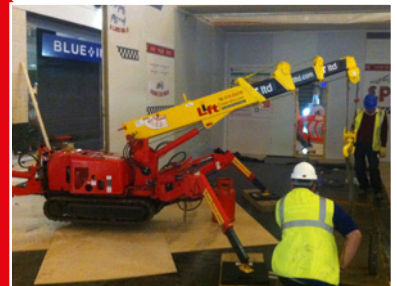
MAEDAMC104 (0.995t x 1.1m)

- Super Slim Body (600mm)
- Multi configuration outrigger option
- 995kg c 1.2m
- Remote Control
- Rubber Tracks
- New Hydrostatic Transmission
- 500Kg Searcher hook attachment

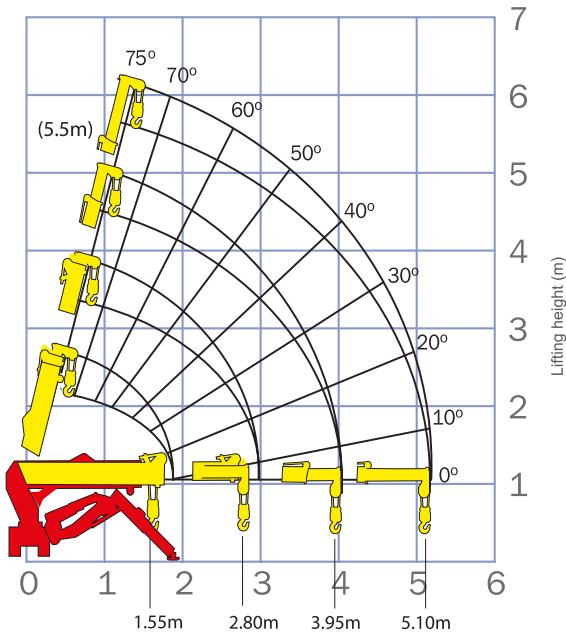


Crane Specifications

Crane capacity	capacity:	0.995t x 1.1m
Max working radius	max:	5.1m
Max lifting height	approx:	5.5m
Rope length	max:	32m (single fall)
Dimensions	folded:	600m (W) x 2160mm (L) x 1305 (H)
Weight	unladen:	1050kg
Point loadings	Due to the many variables involved, point loadings are only available on request	
Hook speed	approx:	3.2m / min (4 fall)
Telescopic system	boom length:	5.30m
	telescoping speed:	3.45m / 20sec
	boom type:	Fully automatic 4 section pentagonal telescopic boom
Derricking angle/speed	approx:	0 - 75° / 11 seconds
Slewing angle/speed	approx:	360° (continuous) 1.3min (rpm)
Traction system	drive:	Hydrostatic, step-less forward and reverse
	travel speed:	0 - 1.9km/h
	gradability:	20°
	track ground length:	1044mm (180mm track)
	track ground pressure:	0.29 kgf/cm ²
	track width:	180mm
Engine	manufacturer:	Maeda Cranes
	fuel:	Petrol / LPG
	maximum output:	5.5kW, 4P 380v
	starting method:	Key / pull start (cold start)
	tank capacity:	-
Standard equipment	overwinding alarm, computer controlled intelligent voice warning system, radio remote control, intelligent throttle activation	
Optional equipment	1 fall hook block, LPG dual power, low marking tracks	



Working Range



Stage	Boom Length	Working radius (m)	Outrigger	Max-extended (kg)	Min-extended (kg)	1.2	1.3	1.41	2.0	2.5	2.8	3.0	3.5	3.93
First Stage	FIRST STAGE EXTENDED 1.85M BOOM LENGTH	<1.1	Working radius	m	<1.1	1.2	1.3	1.41						
			Outrigger	Max-extended	kg	995	980	890	790					
Second Stage	SECOND STAGE EXTENDED 3M BOOM LENGTH	<1.1	Working radius	m	<1.1	1.3	1.5	2.0	2.5	2.8				
			Outrigger	Max-extended	kg	995	980	890	750	620	550			
Third Stage	THIRD STAGE EXTENDED 4.15M BOOM LENGTH	<1.8	Working radius	m	<1.8	2.0	2.5	2.8	3.0	3.5	3.93			
			Outrigger	Max-extended	kg	820	750	620	550	500	380	300		
Fourth Stage	FOURTH STAGE EXTENDED 5.3M BOOM LENGTH	<2.4	Working radius	m	<2.4	2.5	2.8	3.0	3.5	4.0	4.5	5.1		
			Outrigger	Max-extended	kg	650	620	550	500	380	300	250	200	
			Outrigger	Min-extended	kg	295	280	210	185	140	100	75	60	

Dimensions

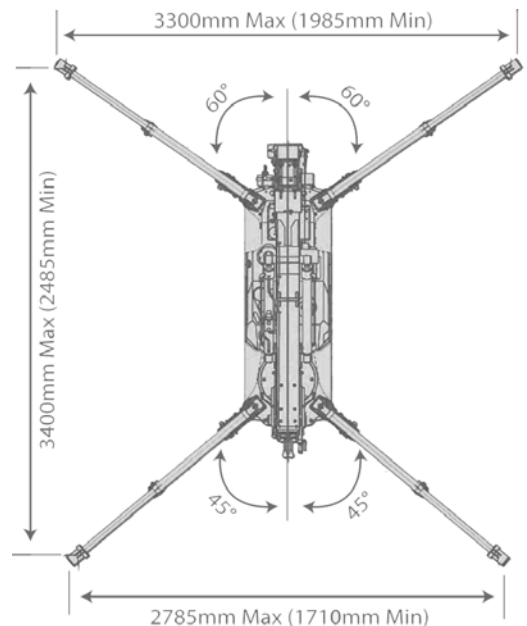
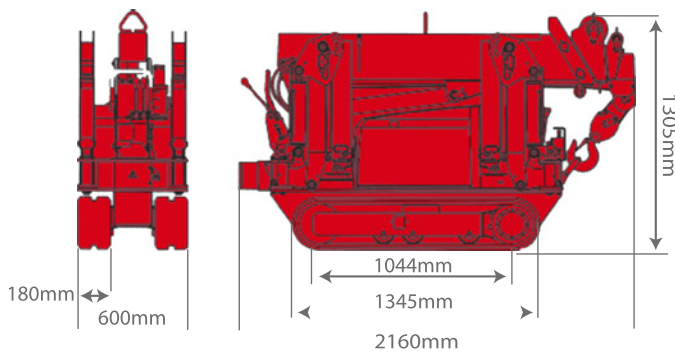


Diagram shows outriggers at maximum position