

# MAEDAMC405 (3.8t x 2.7m)



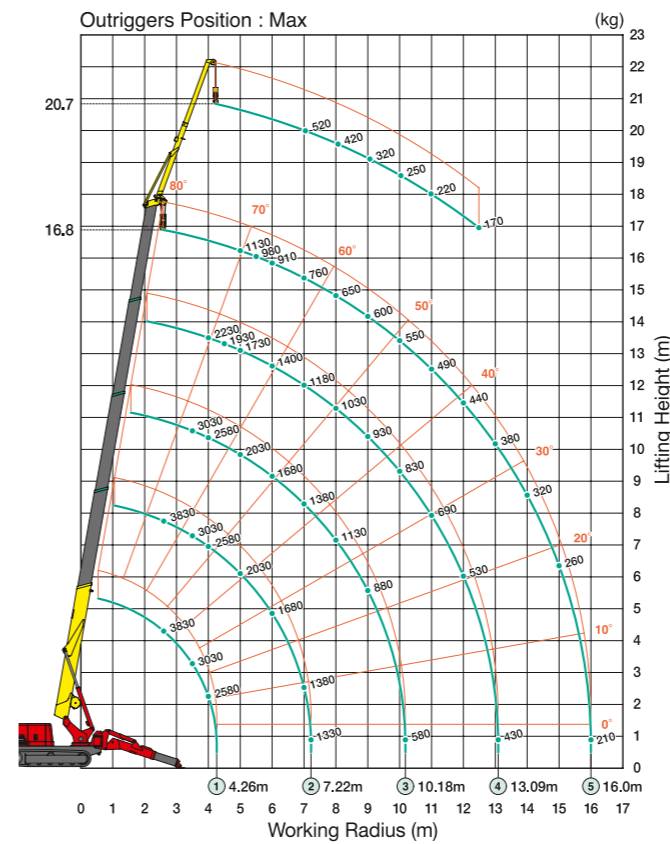
- Pick and carry 500kg
- 3m fly jib extension
- Only 1400m wide
- 16.8m normal working height
- Remote control option

## Crane Specifications

<b>Crane capacity</b>	capacity:	3.8t x 2.7m
<b>Max working radius</b>	max:	16m
<b>Max lifting height</b>	approx:	16.8m
<b>Rope length</b>	max:	82m 1 fall, 41m 2 fall, 20.5m 4 fall
<b>Dimensions</b>	folded:	4980mm x 1380mm x 1980mm
<b>Weight</b>	unladen:	5750kg
<b>Point loadings</b>	Due to the many variables involved, point loadings are only available on request	
<b>Hook speed</b>	approx:	18m / min
<b>Telescopic system</b>	boom length:	4.7m - 16.4m
	telescoping speed:	11.7m / 54sec
	boom type:	Fully automatic 5 section pentagonal boom
<b>Derricking angle/speed</b>	approx:	0 - 80° / 24.5 seconds
<b>Slewing angle/speed</b>	approx:	360° (continuous) 2.1min (rpm)
<b>Traction system</b>	drive:	Hydraulic motor driven, stepless speed changer
	travel speed:	3.3km/h
	gradability:	20°
	track ground length:	1720mm
	track ground pressure:	0.50 kgf/cm <sup>2</sup>
	track width:	320mm
<b>Engine</b>	manufacturer:	Maeda Cranes
	fuel:	Diesel / Electric
	maximum output:	21.4KW, 2400RPM
	starting method:	Key
	tank capacity:	60L
<b>Standard equipment</b>	overwinding alarm, computer controlled intelligent voice warning system, radio remote control, intelligent throttle activation, pick and carry facility	
<b>Optional equipment</b>	500kg or 850kg Searcher hook, low marking tracks, onboard fly jib attachment,	



## Working Range



Fly Jib	
Boom angle (deg)	kg
72+	520
69	420
66	320
63	250
60	220
55	170



### First & Second Stage

#### FIRST & SECOND STAGE EXTENDED 4.7-7.7M BOOM LENGTH

Working radius m	<2.7	3.5	4	5	6	7	7.25
<b>Outrigger Max kg</b>	3830	3030	2580	2030	1680	1380	1330
<b>Mid kg</b>	3830	3030	2580	1880	1430	1160	1120
<b>Min kg</b>	3830	3030	2580	1680	1180	930	780

### Third Stage

#### THIRD STAGE EXTENDED 10.65M BOOM LENGTH

Working radius m	3.5	4	5	6	7	8	9	10.2
<b>Outrigger Max kg</b>	3030	2580	2030	1680	1380	1130	880	580
<b>Mid kg</b>	3030	2580	1880	1430	1130	880	740	490
<b>Min kg</b>	3030	2580	1680	1180	880	730	580	400

### Fourth Stage

#### FOURTH STAGE EXTENDED 13.56M BOOM LENGTH

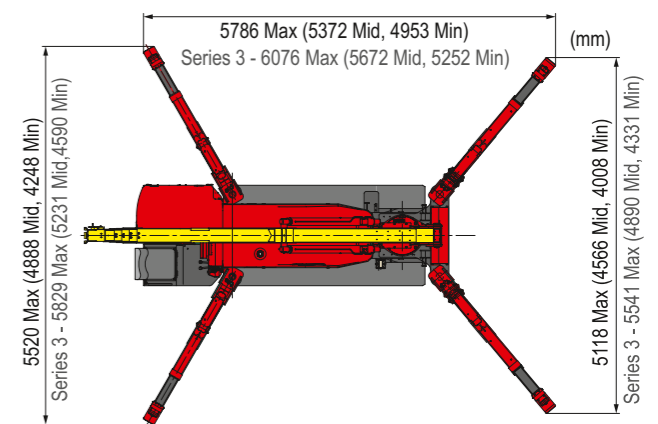
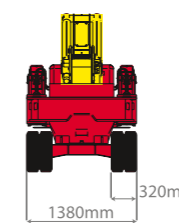
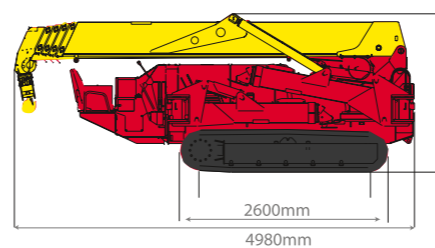
Working radius m	4	4.5	5	6	7	8	9	10	11	12	13.1
<b>Outrigger Max kg</b>	2230	1930	1730	1400	1180	1030	930	830	690	530	430
<b>Mid kg</b>	2230	1830	1630	1330	1080	880	730	530	480	430	330
<b>Min kg</b>	2230	1830	1630	1180	830	680	550	430	380	350	310

### Fifth Stage

#### FIFTH STAGE EXTENDED 16.47M BOOM LENGTH

Working radius m	5	5.5	6	7	8	9	10	11	12	13	14	15	16
<b>Outrigger Max kg</b>	1130	980	910	760	650	600	550	490	440	380	320	260	210
<b>Mid kg</b>	1130	980	910	730	630	550	480	430	380	330	280	220	180
<b>Min kg</b>	1130	980	880	730	530	450	420	370	330	280	240	190	150

## Dimensions



- 4 Fall 20.5m
- 2 Fall 41.0m
- Single Fall 82.0m